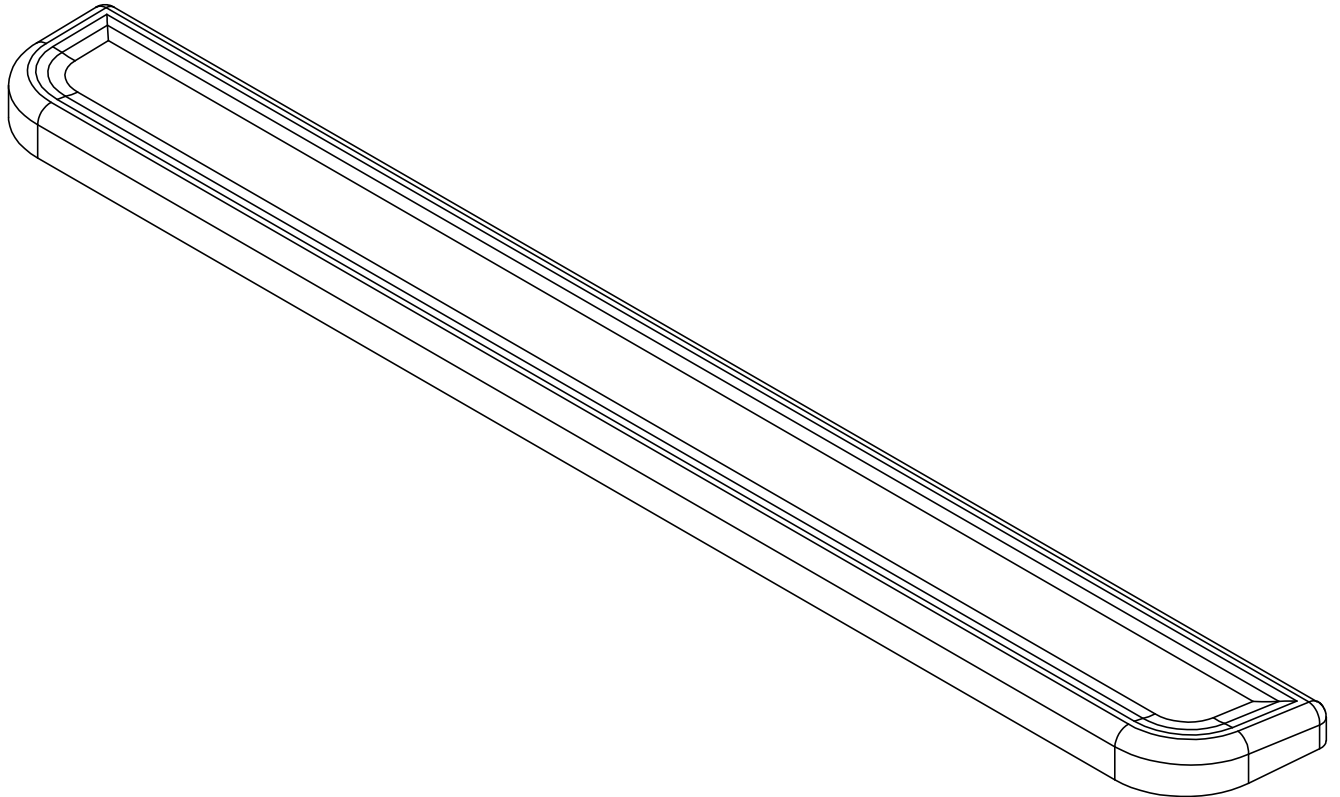




**107KPS Palm Support Installation Instructions**  
**Warranty: [raproducts.com/warranty](http://raproducts.com/warranty)**



**rightangle™** 107KPS Palm Support # 53370



Power Driver with Adjustable Torque



#2 Phillips Head Driver Bit or Phillips Screwdriver



52443 x3 For Trays



52679 x3 For Drawers

