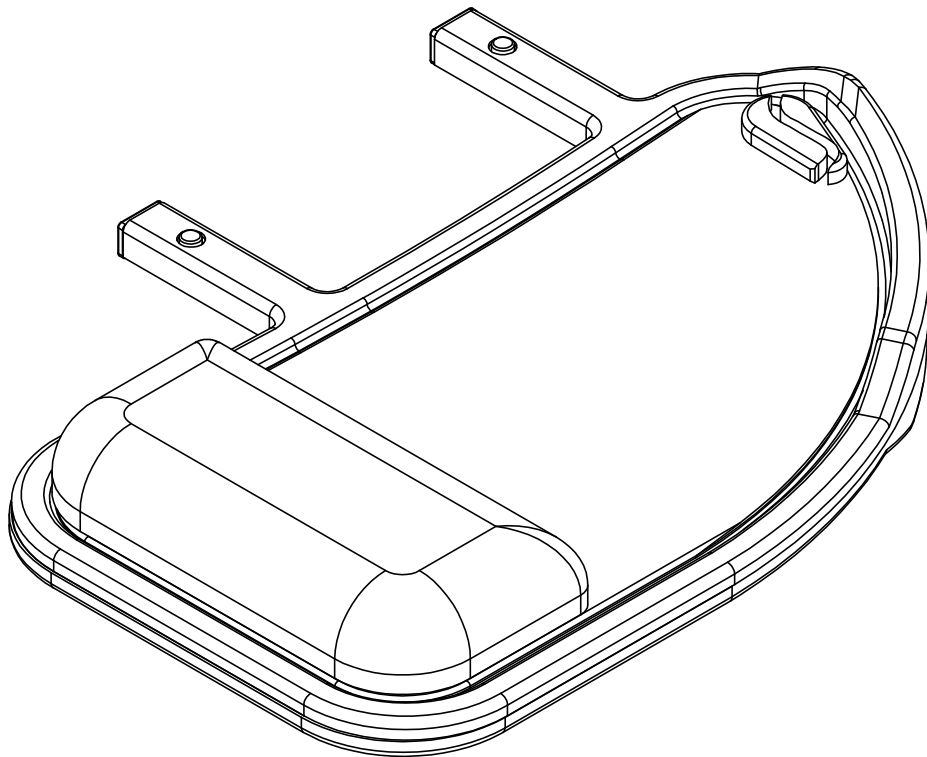




**106GMPSMT Wrist Support Assembly Instructions**  
**Warranty: [raproducts.com/warranty](http://raproducts.com/warranty)**



Pull the paper backing off the dual lock fastener strips and apply as shown.

