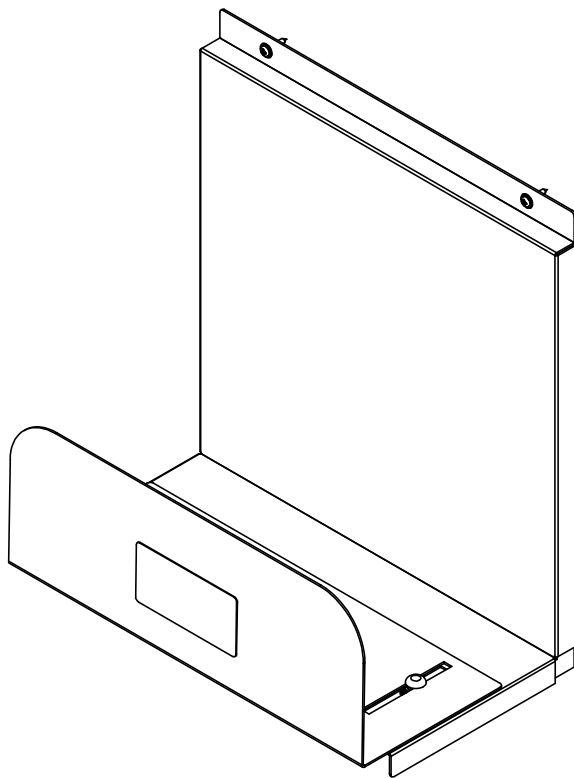




**101CPU Holder Assembly Instructions**  
**Warranty: [raproducts.com/warranty](http://raproducts.com/warranty)**





Power Driver with Adjustable Torque

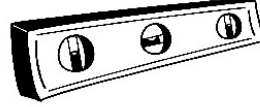


#2 Phillips Head Driver Bit

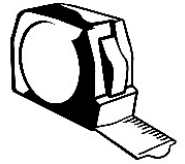
Or



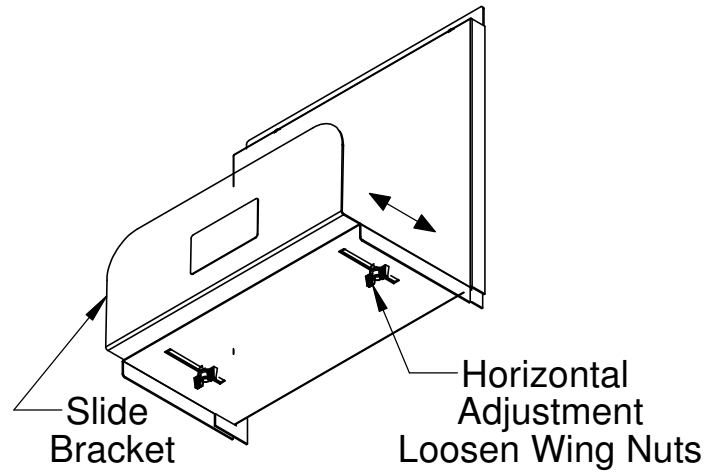
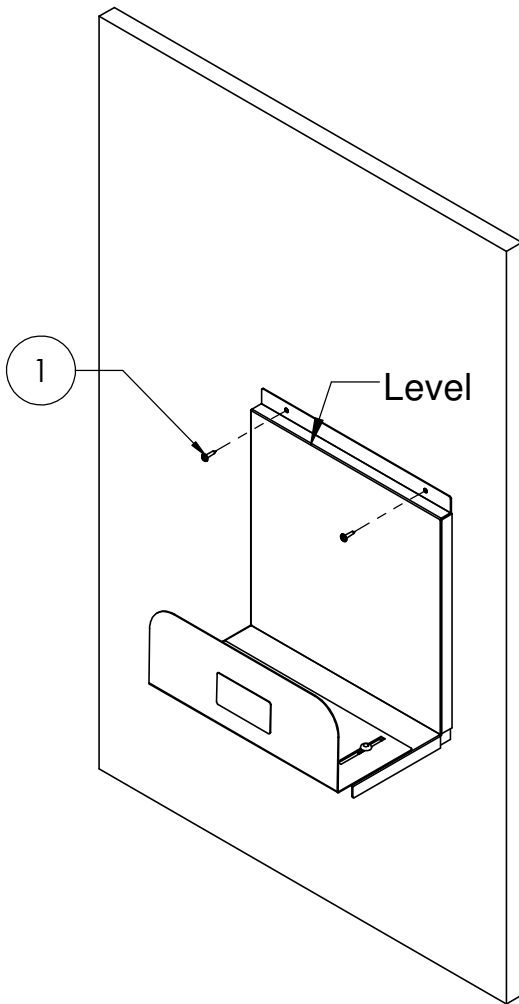
#2 Square Head Driver Bit



Level



Tape Measure



1

51708 x2