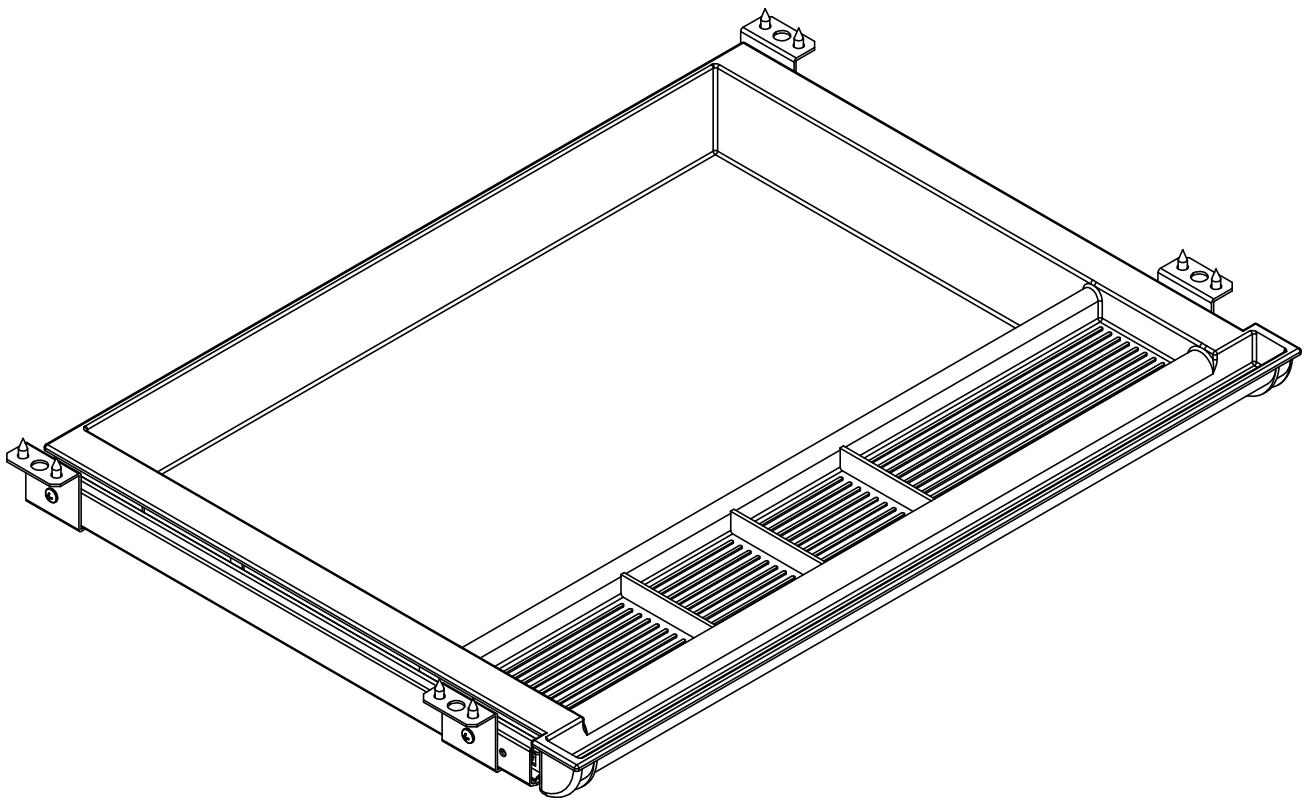
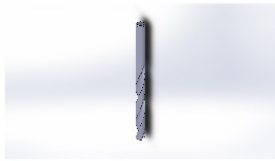




100PDB Pencil Drawer Installation Instructions
Warranty: raproducts.com/warranty



rightangle™ 100PDB Pencil Drawer # 50594



Power Driver with
Adjustable Torque

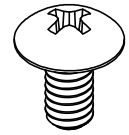
#2 Phillips Head
Driver Bit

5/64" Drill Bit



1

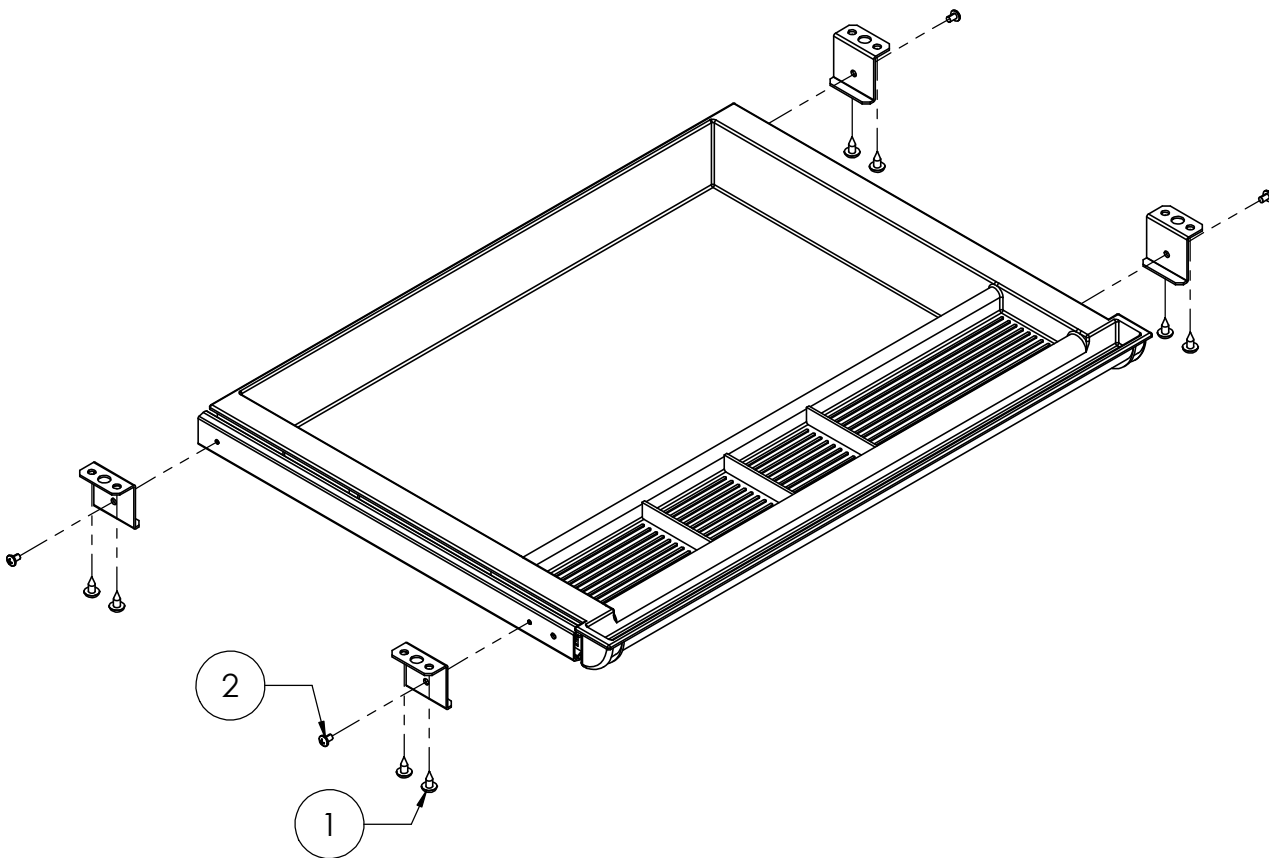
Wood Screw



2

Machine Screw

Screws come with pencil drawer.



Attach the brackets and mark and drill eight 5/64" pilot holes 1/2" deep. Put one screw 1 in each bracket and fully tighten. Operate the drawer. If it is binding, loosen the screws and adjust the drawer until it is not binding. Tighten the screws and drive in four more screws.