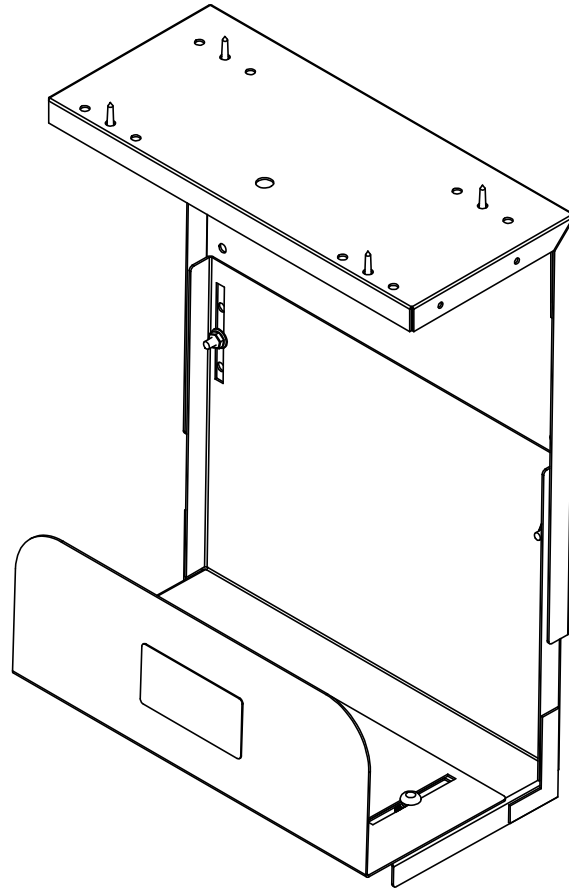




100CPU Holder Assembly Instructions
Warranty: raproducts.com/warranty



Tools Required for Assembly



Power Driver with Adjustable Torque

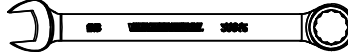


#2 Phillips Head Driver Bit

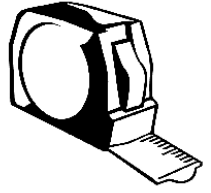
Or



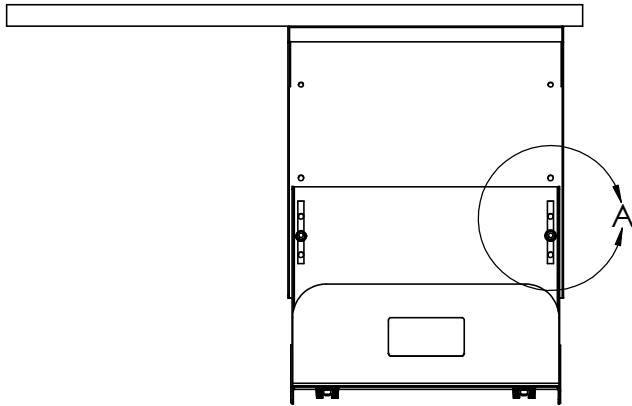
#2 Square Head Driver Bit



7/16"/11mm Wrench



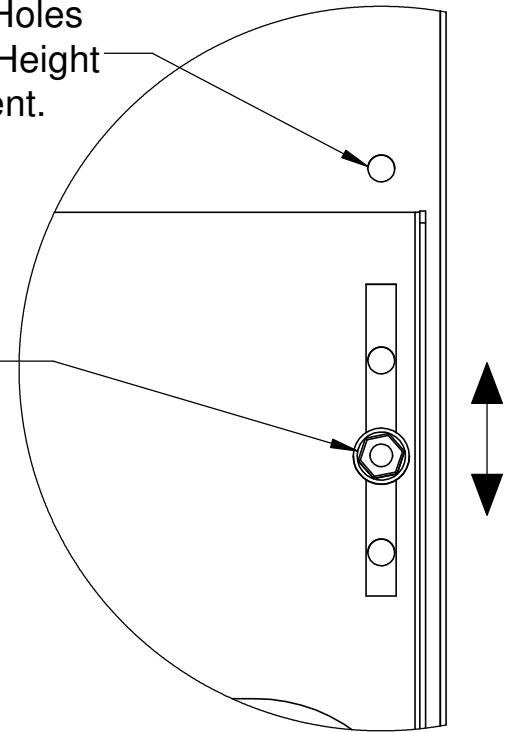
Tape Measure



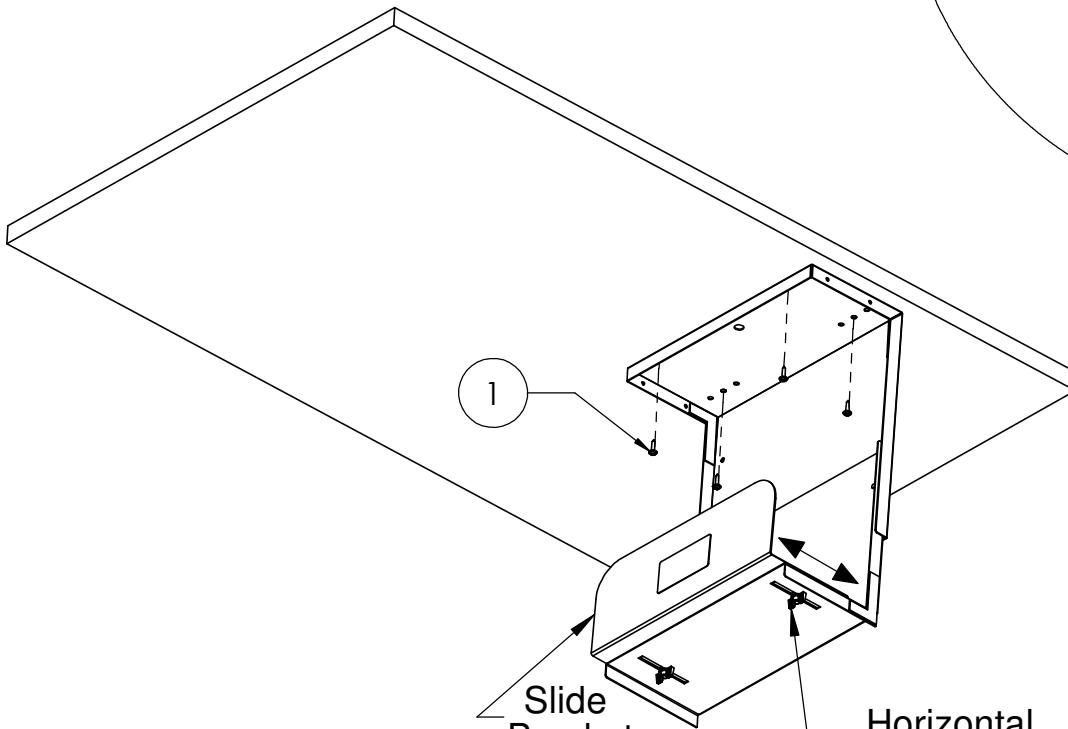
Front View

Two More Holes For Further Height Adjustment.

Vertical Height Adjustment.

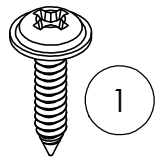


Detail A



Slide Bracket

Horizontal Adjustment Loosen Wing Nuts



51708 x4