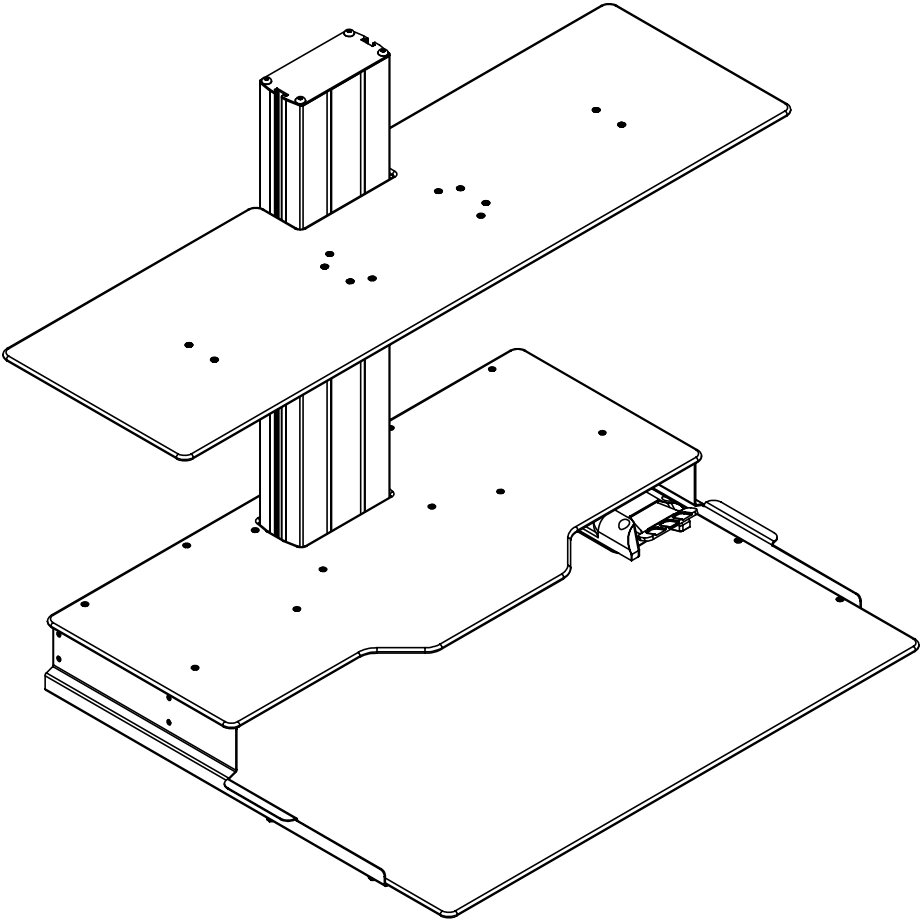
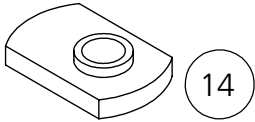


Desk Top Gas Lift DUAL Platform Assembly Instructions



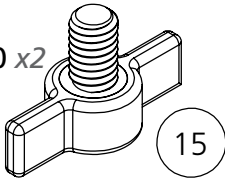
Hardware

53099 x2



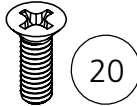
14

801580 x2



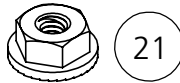
15

53580 x4 - Black
53779 x4 - White



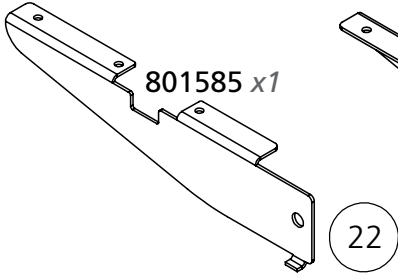
20

53648 x4 - Black
50267 x4 - White



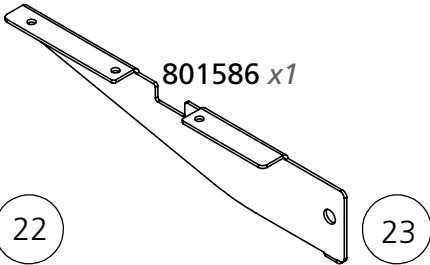
21

801585 x1

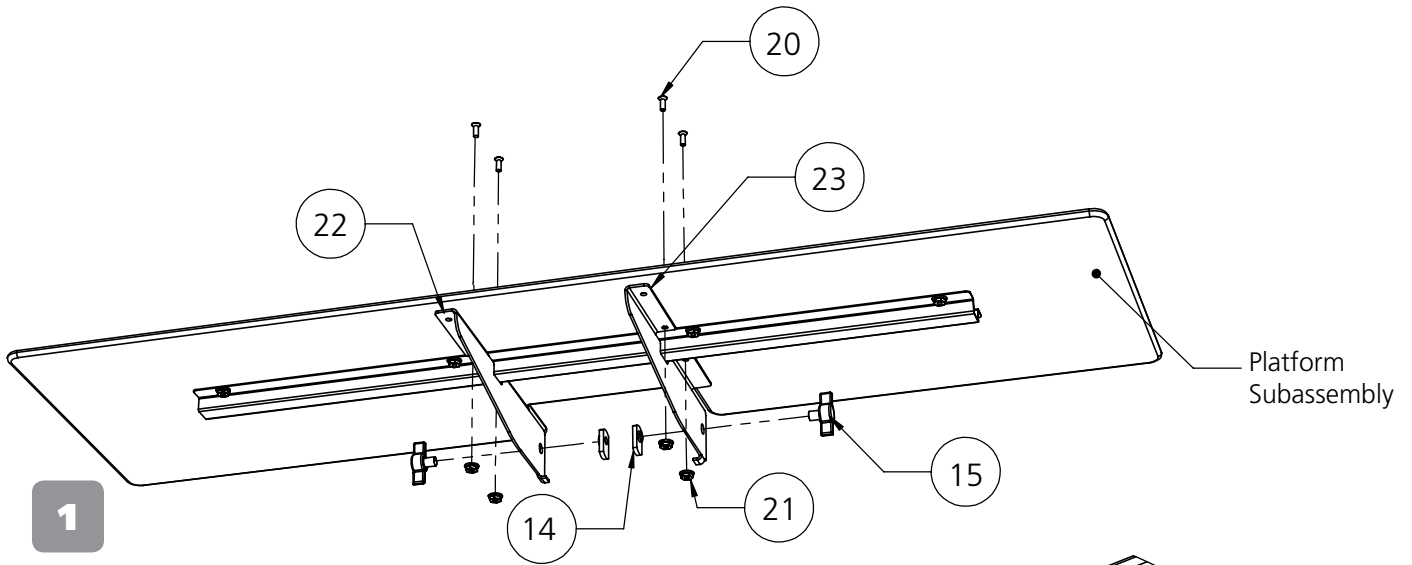
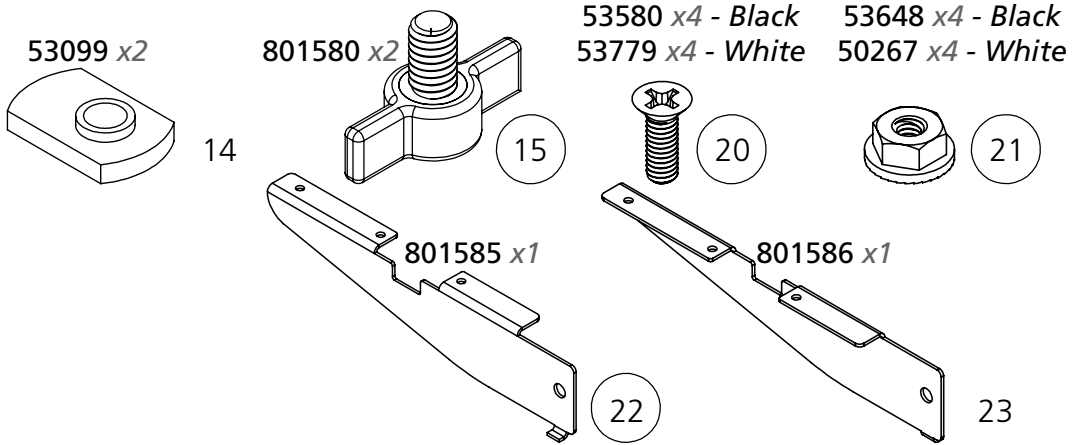
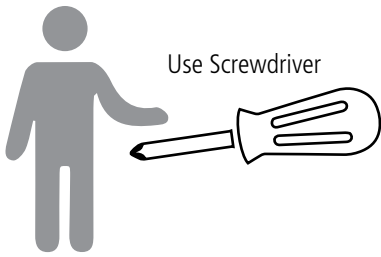


22

801586 x1

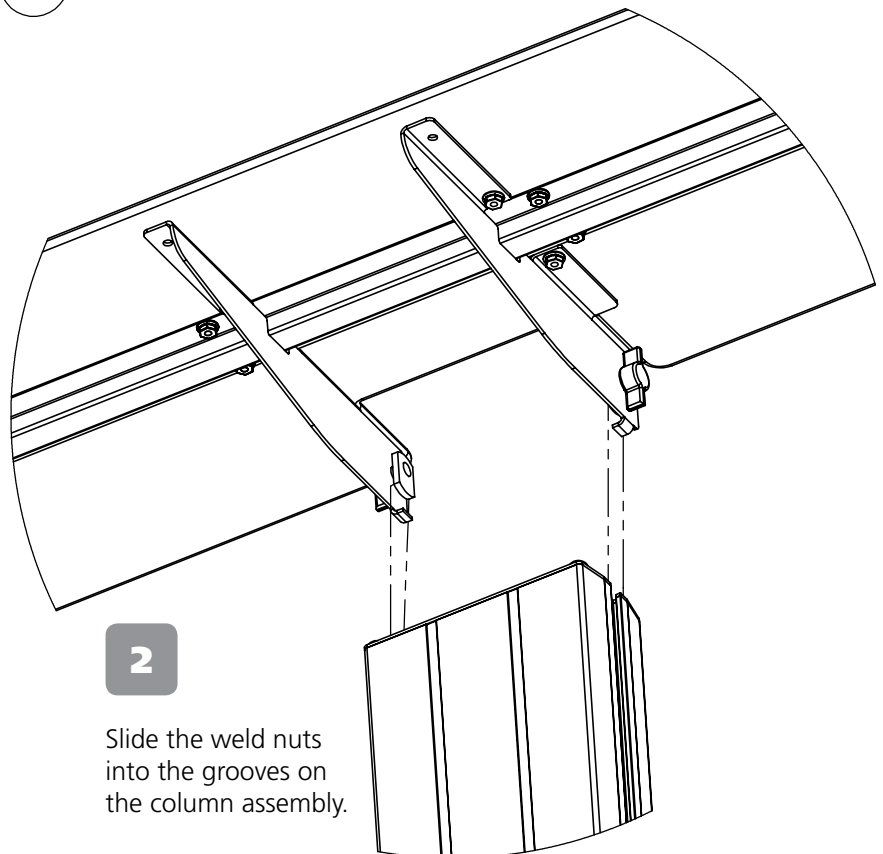


23



1

Assemble the platform sub-assembly, the brackets **#22** and **#23**, the T-screws **#15** and the weld nuts **#14**. Leave the weld nuts and T-screws loose. Attach the platform to the brackets.



2

Slide the weld nuts into the grooves on the column assembly.